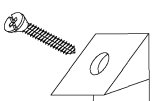

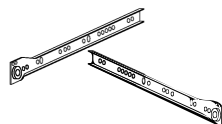



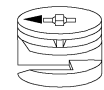
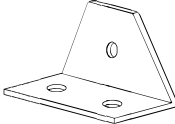
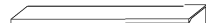




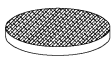
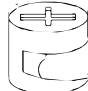

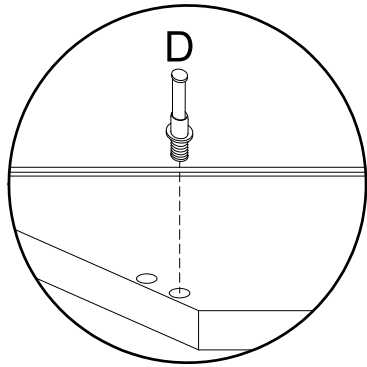
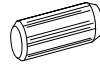

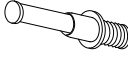
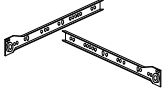

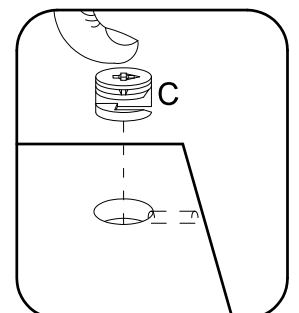
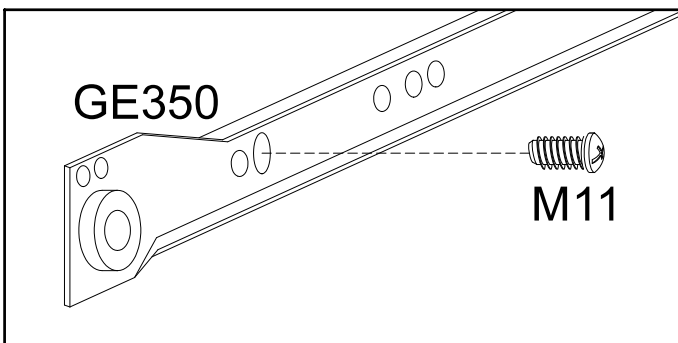
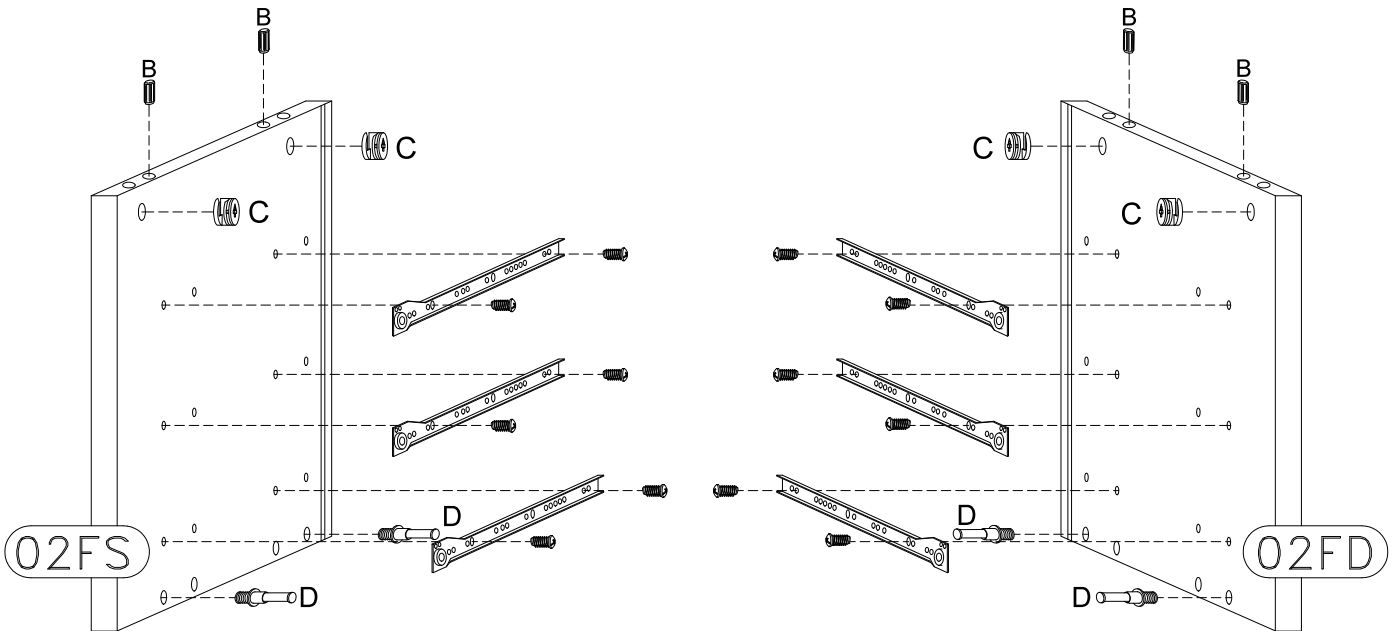


A		M2		3.5x16 mm.	x12	GE350		x3		
B		8x30 mm.	x8	M11		6x11 mm.	x12	GI350		x3
C		ø15 mm.	x8	P7		x12	S10		x3	
D		x8	L418		4x18 mm.	x36	L12		3x12 mm.	x6
P		x6	F3		x6	C1		ø12 mm.	x6	
						D1		x6		

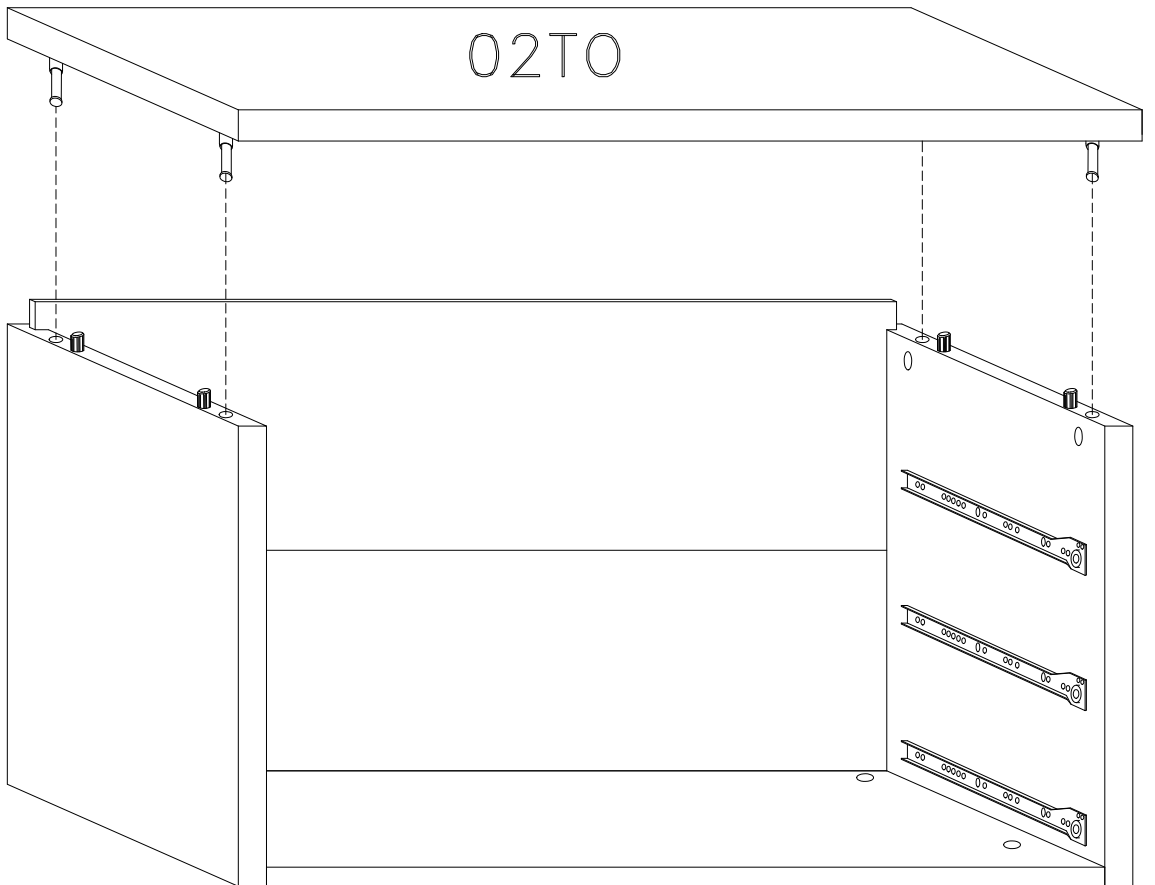
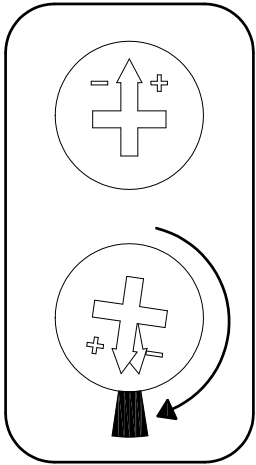
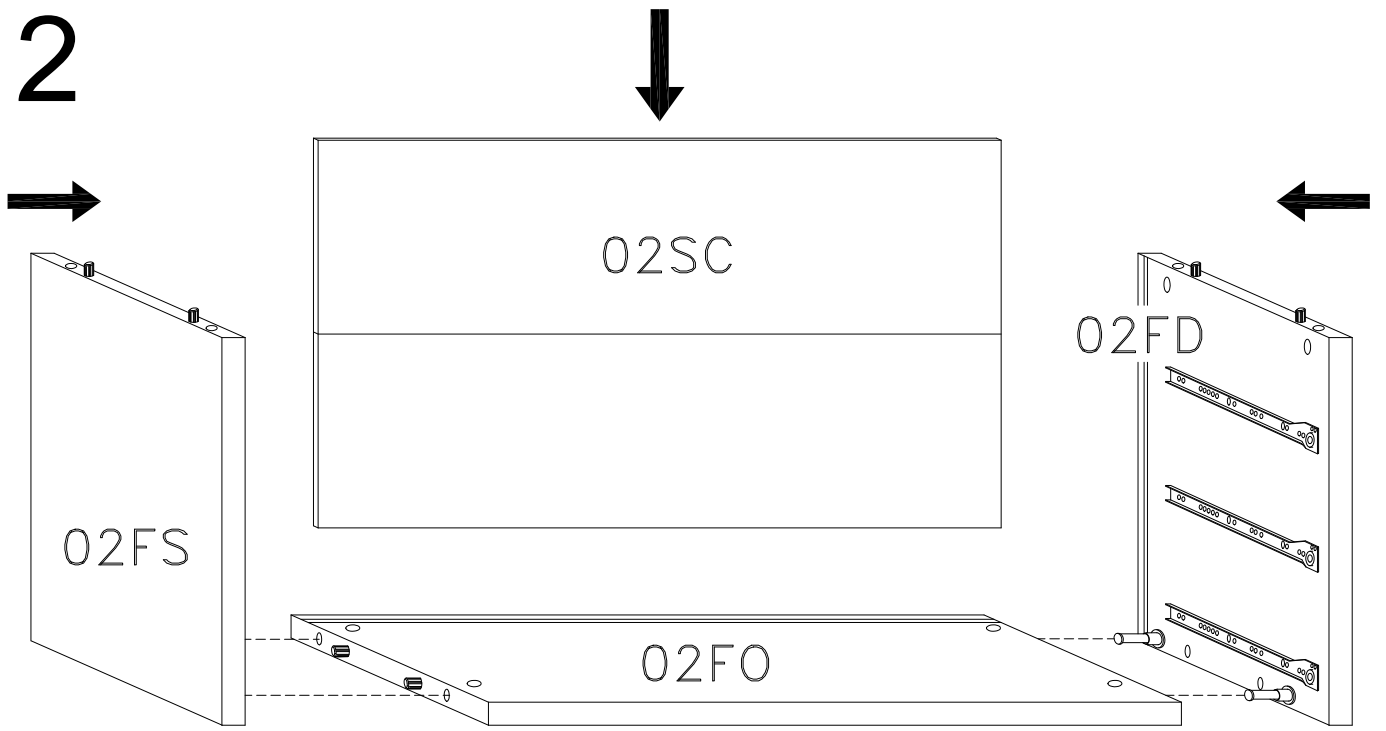
1



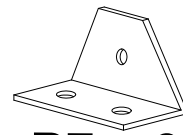
- B**  8x30 mm. x8
- C**  $\varnothing 15$ mm. x8
- D**  x8
- GE350**  x3
- M11**  6x11 mm. x12



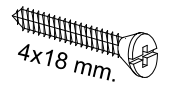
2



3

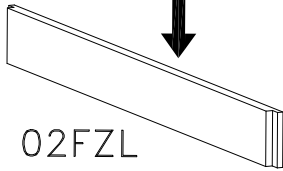
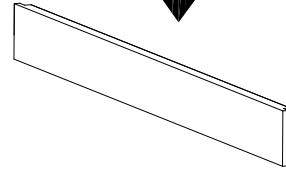
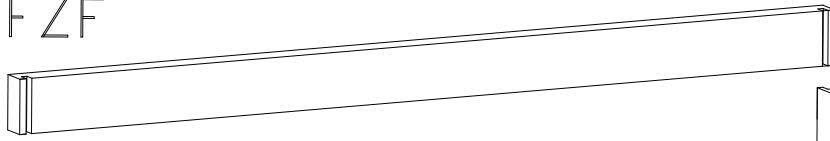


P7 x6

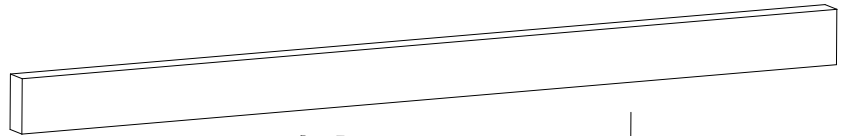


L418 x18

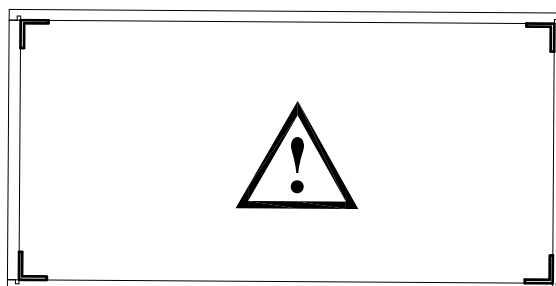
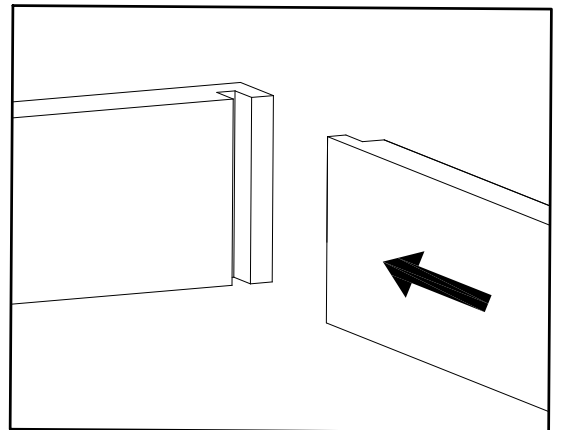
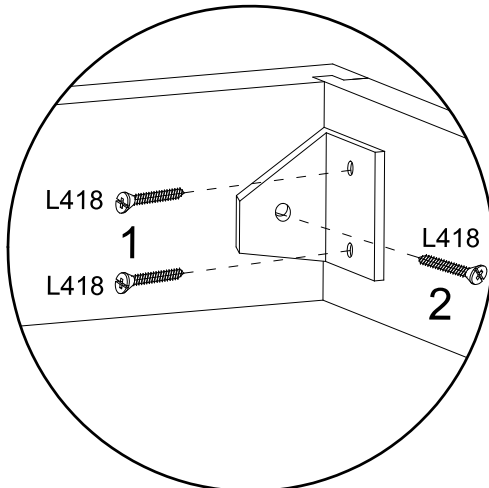
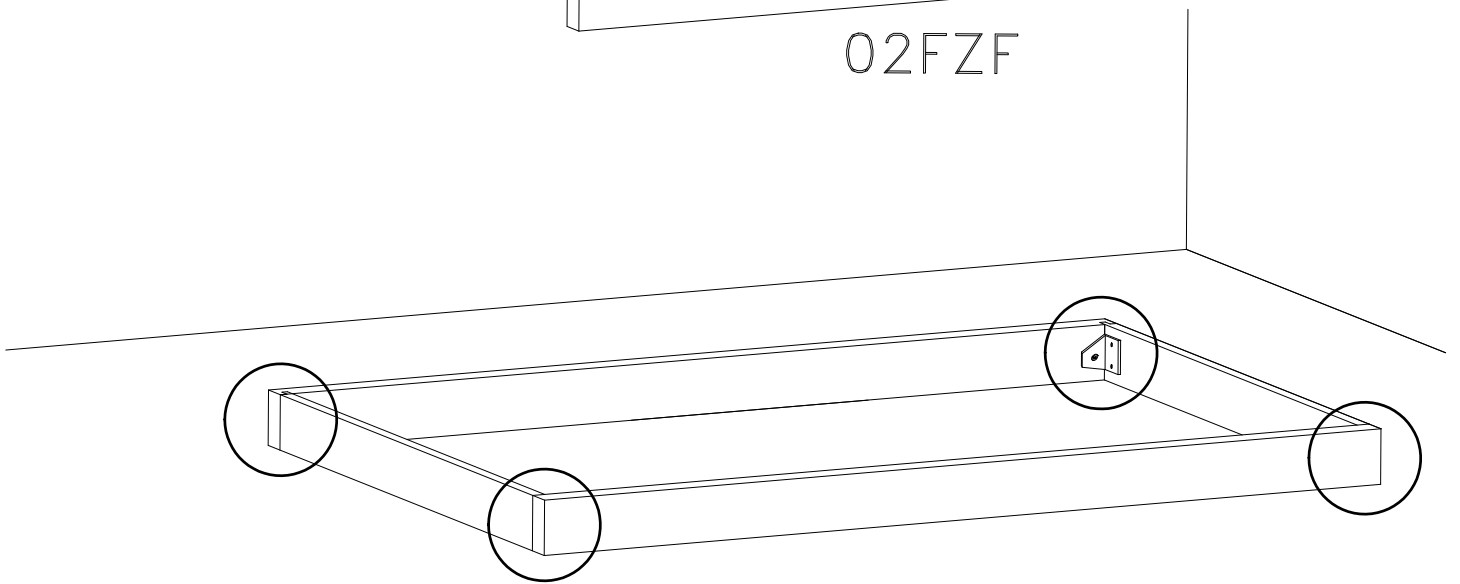
02FZF



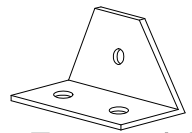
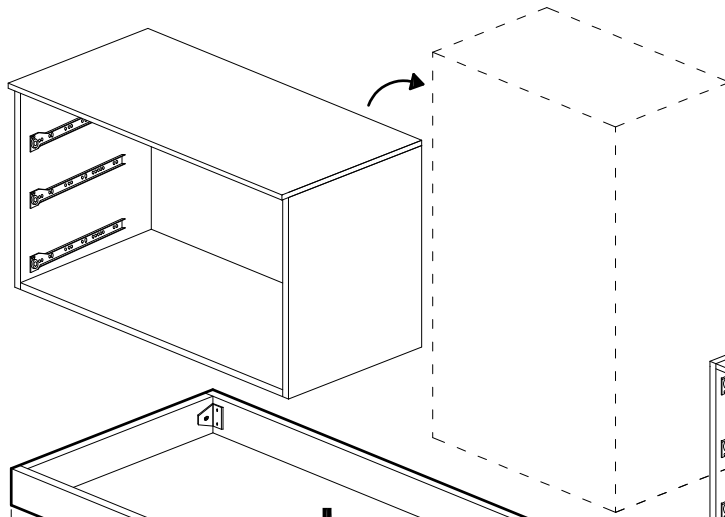
02FZL



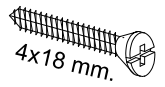
02FZF



4

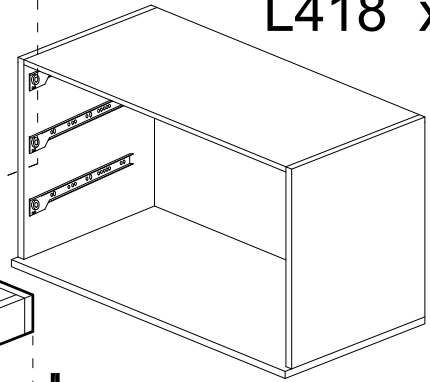
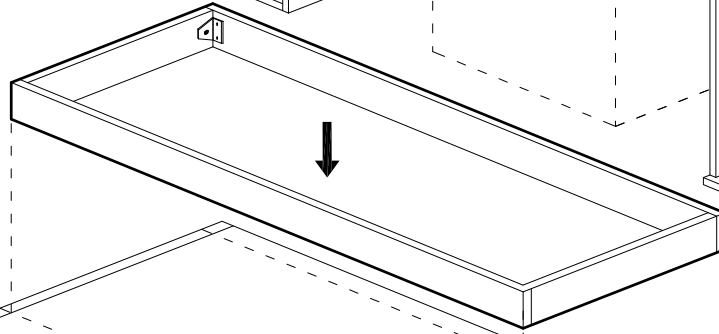


P7 x12

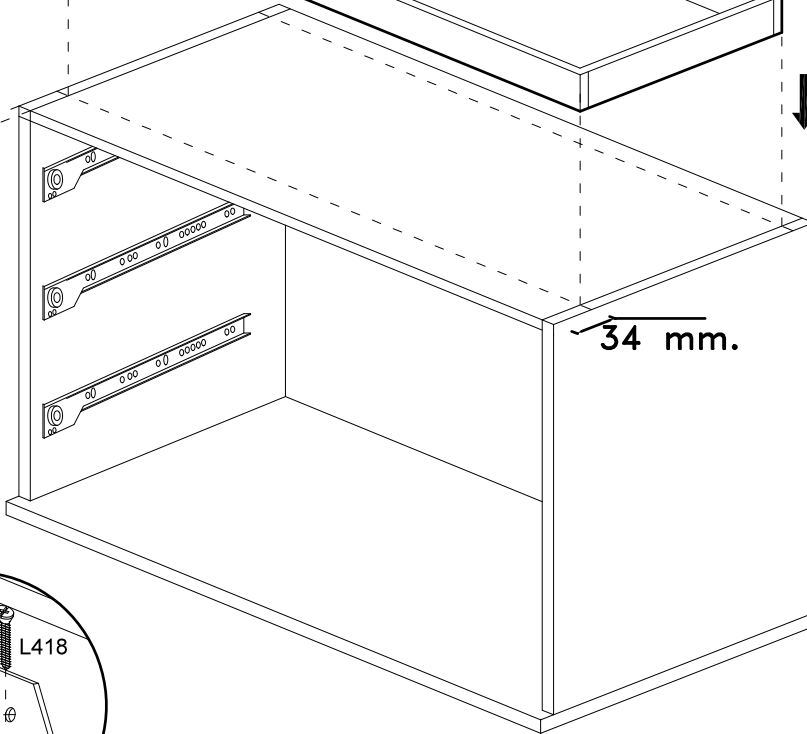


4x18 mm.

L418 x36

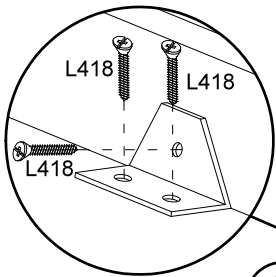


12 mm.



15 mm.

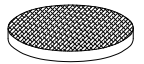
34 mm.



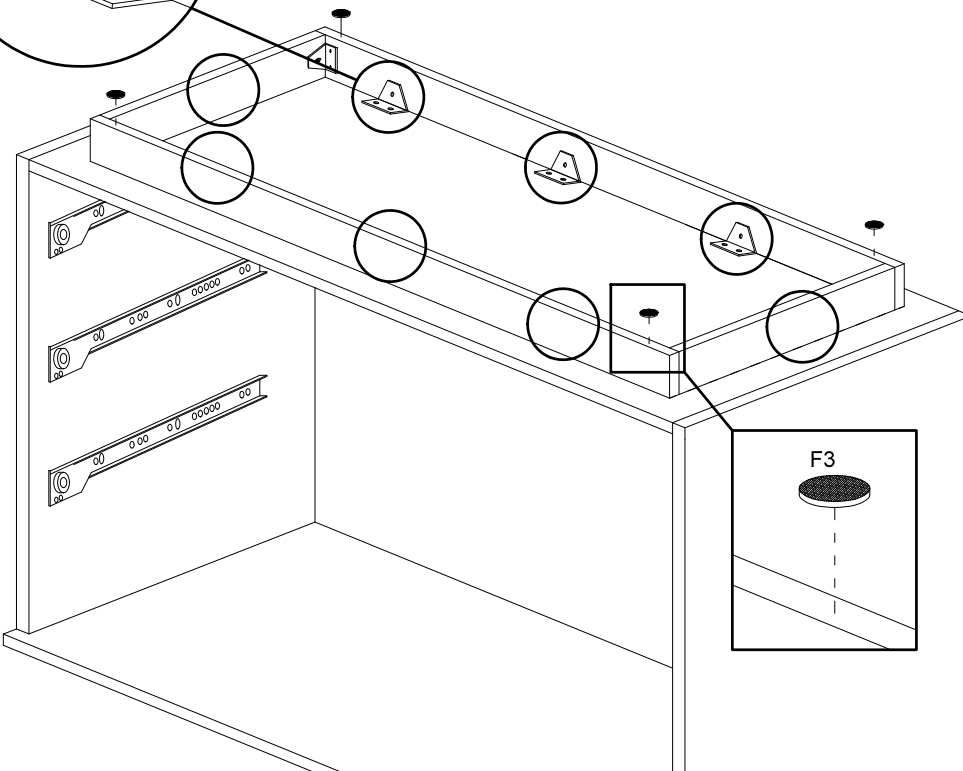
L418

L418

L418

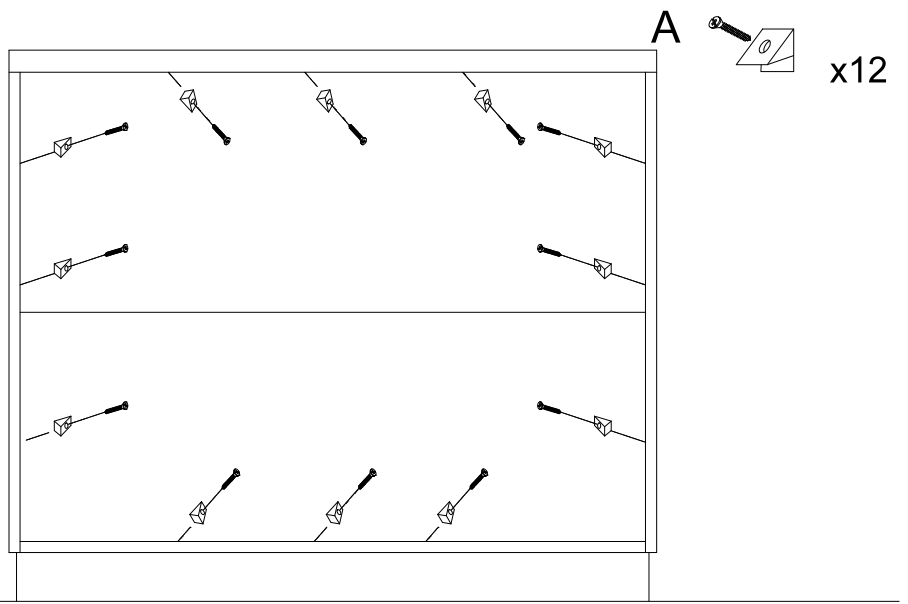
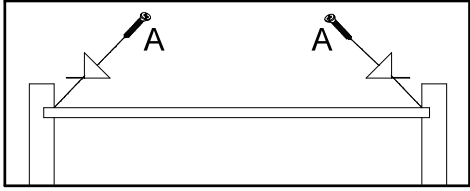


F3 x6

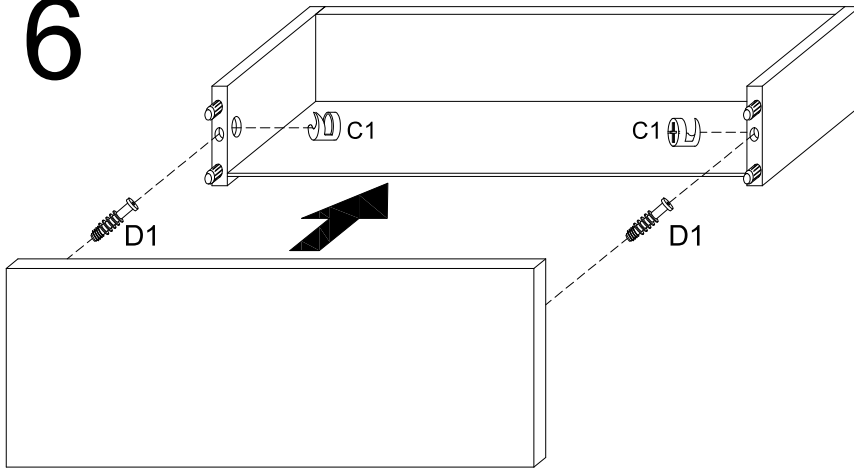


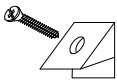
F3

5




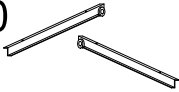
6




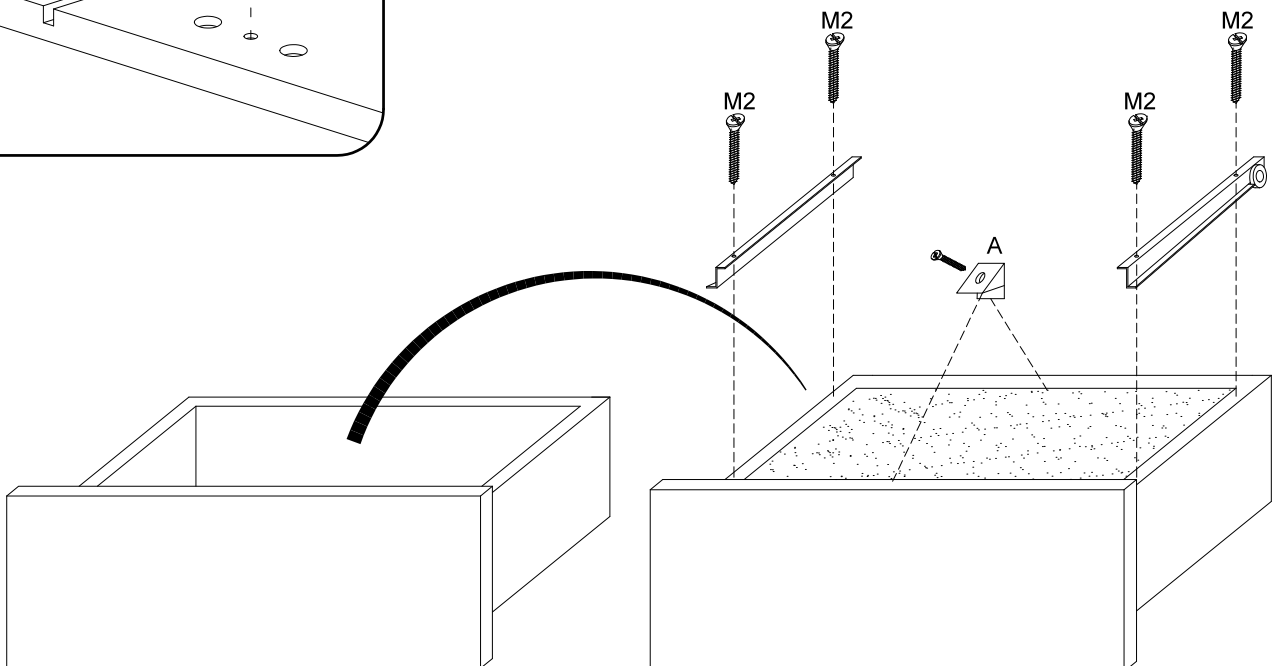
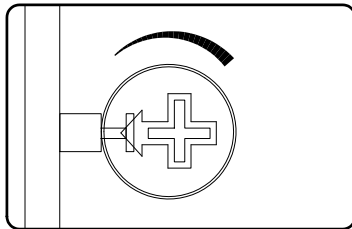
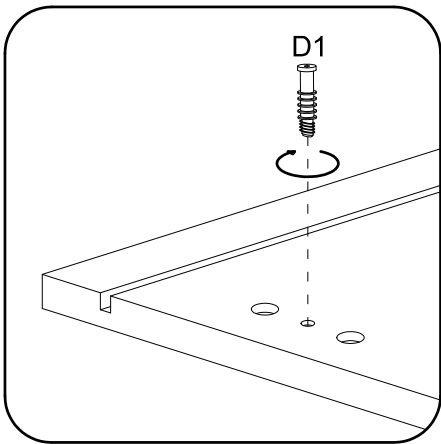
A  x6

C1  x6
ø12 mm.


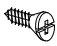
D1  x6

GI350  x3

M2  3x16 mm. x12



7

S10		x3
L12		x6
	3x12 mm.	

